

Installation Instructions

Model 2009D

Solenoid-Activated Horn Kit

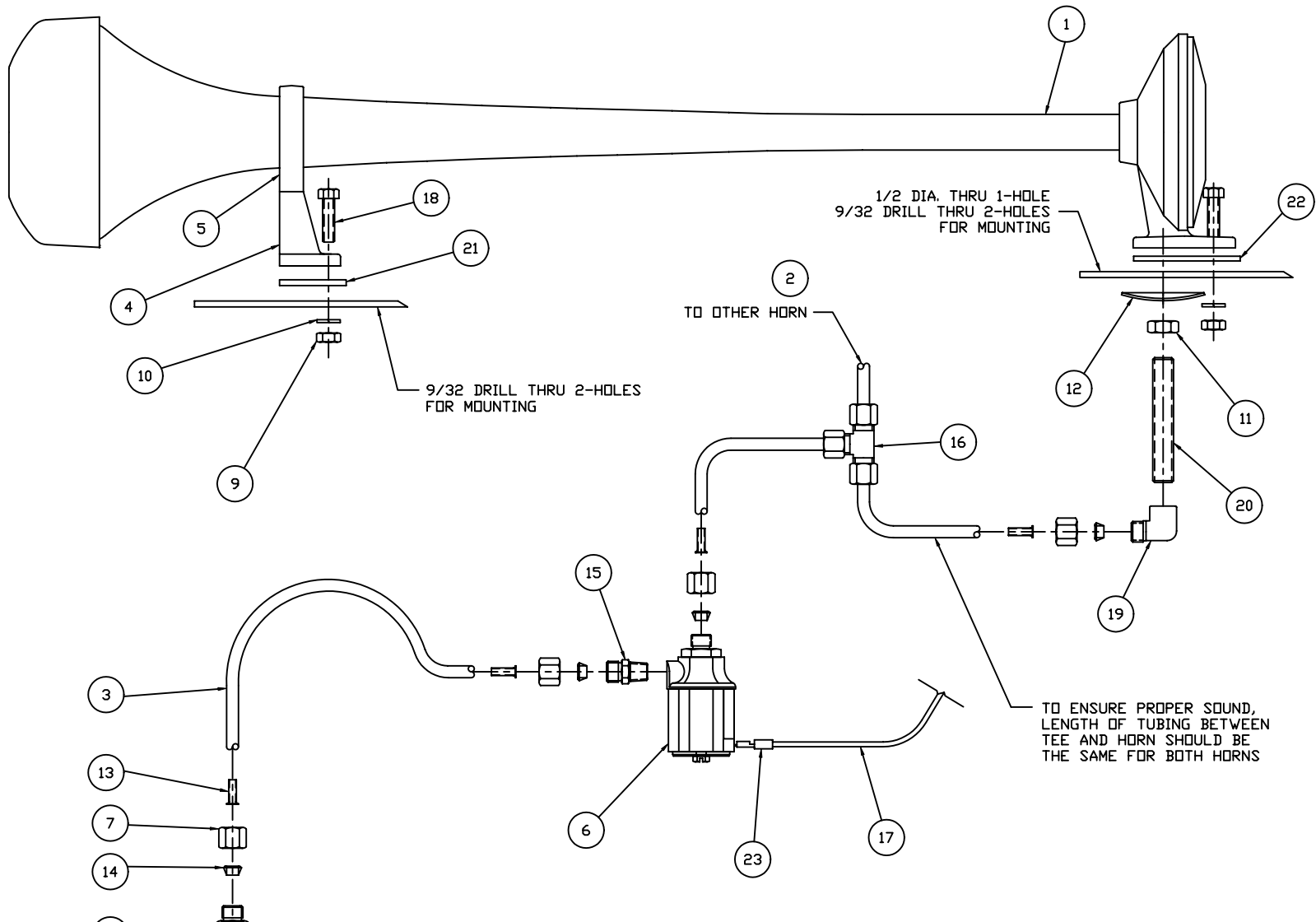
For Vehicles With Existing Air Supply

1. For best results mount horns in an unobstructed opening for sound to carry straight ahead. If possible mount with a slight downward angle to allow moisture to drain from horn.
2. If mounting to roof of cab remove interior roof trim panel to install horns.
3. Drill $\frac{1}{2}$ " and $\frac{9}{32}$ " holes (using mounting gasket for template) in position desired for horns. Locate positions for front supports and drill $\frac{9}{32}$ " holes.
4. Place mounting gaskets between base of horn and top of cab roof.
5. Assemble tension washer, mounting stem, elbow, bolts, nuts, and lock washers to horn and support as shown in the installation diagram.
6. Connect tubing between tee and the elbow at base of horn as shown. The length of tubing between tee and elbow must be equal for both horns. Tighten fittings carefully.
7. Install solenoid valve in desired location. Connect tubing between valve and tee. Tighten fittings carefully.
8. Connect tubing from air supply to inlet on solenoid valve.
9. Wire the solenoid to existing horn circuit as shown in wiring diagram.

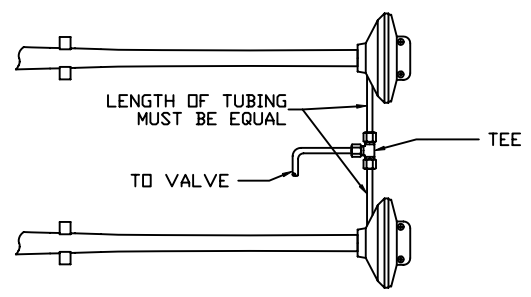
Important: Use pipe compound on pipe threads to assure air-tight connections.

CAUTION: Check local noise abatement ordinances to avoid legal violations.



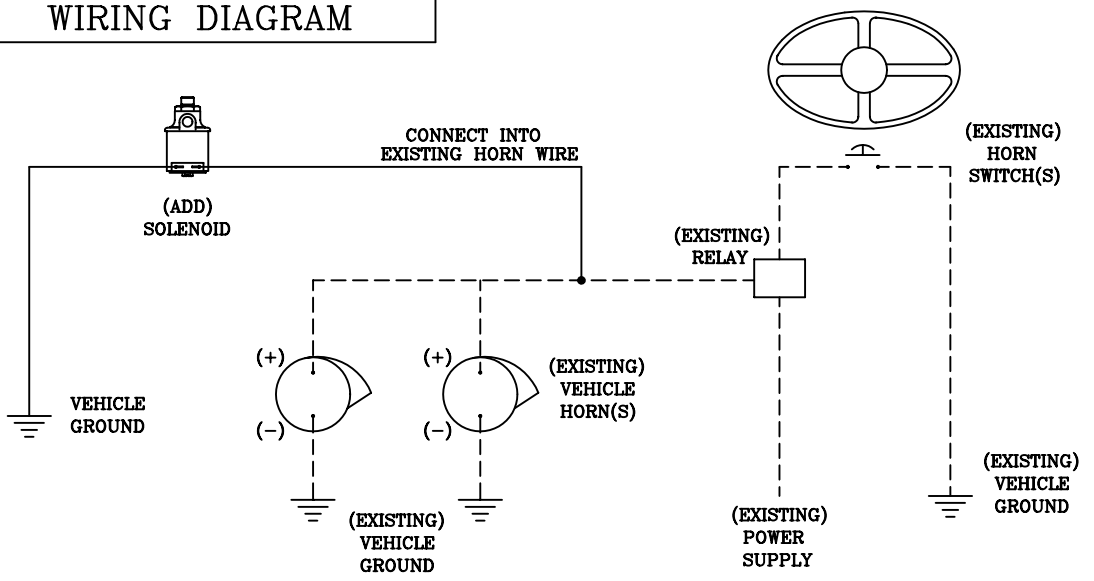


MODEL H02009D
SOLENOID ACTIVATED
FOR VEHICLES WITH
EXISTING AIR SOURCE



SHEET NUMBER H16429 REV. A 03/03

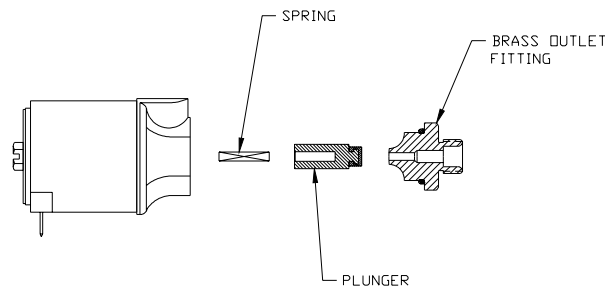
WIRING DIAGRAM



23	H14205	TERMINAL	2
22	H13727	HORN GASKET	2
21	H13724	SUPPRT GASKET	2
20	H13400	MOUNTING STEM	2
19	H13399	BRASS ELBOW	2
18	H12801	1/4-20 BOLT	8
17	H12669-2	ELECTRICAL WIRE, 10'	2
16	H12664	BRASS TEE	1
15	H12553	1/8 NPT CONNECTOR	1
14	H12463	TUBE SLEEVE	8
13	H12462	TUBE INSERT	8
12	H11553	TENSION WASHER	2
11	H11356	7/16 JAM NUT	2
10	H11306	1/4-20 LOCKWASHER	8
9	H11305	1/4-20 HEX NUT	8
8	H11181	1/4 NPT CONNECTOR	1
7	H11081	TUBE NUT	8
6	H00550-3	SOLENOID VALVE	1
5	H13725	SUPPORT GROMMET	2
4	H13723-4	PROJECTOR SUPPORT	2
3	H13110-13	1/4" TUBING, 20'	1
2	H02003-00	29" HORN	1
1	H02001-00	26" HORN	1
ITEM	PART NO.	DESCRIPTION	QTY

SOLENOID CLEANING PROCEDURE

1. Drain all air from tank.
2. Using 1/2 inch wrench disconnect horn airline from solenoid.
3. Using 3/4 inch wrench, loosen and remove brass outlet fitting that the airline was attached to. Removal of this fitting allows access to inside chamber of solenoid valve.
4. Slowly remove plunger and spring from inside of valve to permit cleaning.
5. Inspect metal surface of plunger for corrosion build-up and remove with fine steel wool, emery board or similar product. After thoroughly cleaning plunger surface, inspect the rubber tip. Tip should be relatively smooth to allow proper seating against the brass outlet fitting.
6. After you have cleaned and inspected the plunger, you are ready to reassemble the solenoid. Place the spring back into the hole in the plunger and re-insert plunger (spring end first) into the solenoid. To check placement, simply depress plunger with fingertip, plunger should travel in and out smoothly.
7. Place brass outlet fitting back into position and tighten with 3/4 inch wrench.
8. Reattach airline to the outlet of solenoid and tighten tube nut.
9. Procedure is now complete, simply allow tank to fill again with air and your system will be back in full operation.
10. This procedure may have to be performed several times per year depending on horn use, climate and mounting location.
11. If plunger and spring are not reusable, a replacement kit is available. Part No. is HPB550-0



All Hadley products carry a limited warranty for 12 months from date of purchase. We will repair or replace, at our option, defects in material and workmanship during that period when product and proof of purchase are returned to our service department at the address below.



www.hadley-products.com

Hadley Products
Attn.: Service Department
2851 Prairie S.W., Suite D
Grandville, MI 49418

Service Department: (616) 249-8462

Main: (616) 530-1717

Fax: (616) 530-3283